

For an all-encompassing cinema sound in a conveniently sized package, the Phonix replicates the wedge-shaped design used in Krix's commercial cinema surround speakers, allowing it to be mounted high and away from the listener, to maintain excellent pattern control and audio coverage to all listening positions.

Designed for on wall side and rear surround sound, the Phonix offers high power handling with low frequency extension down to 45Hz.

The hefty 165mm bass driver has a 33mm voice coil wound on high powered aluminium former, with ventilated spider and aluminium flux stabilisation ring for low distortion. The paper cone and surround of the bass driver have been developed to provide the smoothest possible response and a dynamic and non-fatiguing vocal mid-band.

The high frequency drive unit is a specially-damped, high power, 26mm doped fabric dome tweeter. Combined with the crossover network which has been designed and built using close-tolerance, professional-grade components, the resulting sound is exceptionally smooth and well controlled.

Complete with a braced, critically-damped enclosure, finished with a neat black cloth grille, the Phonix is a beautifully designed benchmark for surround loudspeaker reproduction.

For the ultimate cinema experience at home, play it through Krix.

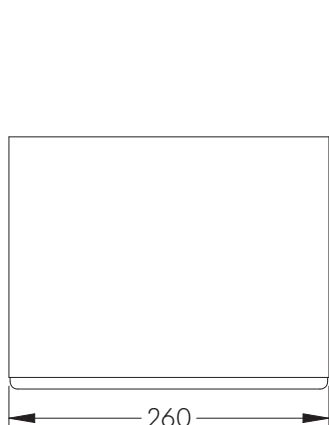


FEATURES

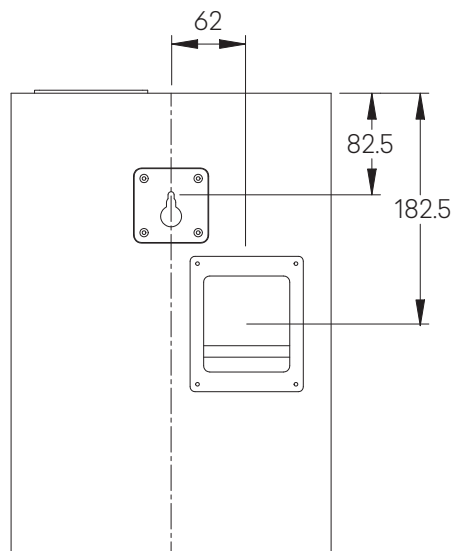
- 15 degree angled front baffle
- Easy wall mounting
- Compact design

Phonix	
Frequency Range	45 Hz - 20 kHz (in room response)
Power Handling	50 - 150 Watts RMS recommended amplifier power
Sensitivity	88 dB (2.83V / 1m)
Impedance	8 OhmS
Configuration	2-Way
Crossover point	1.8 kHz
Low Frequency Driver	Single 165mm (6 1/2") paper cone driver. 33mm (1 1/4") voice coil wound on high powered kapton former, with ventilated magnet assembly and copper shorting ring for low distortion
High Frequency Driver	26mm (1") doped fabric dome with large roll surround. Ferro fluid cooled
Enclosure Type	Bass reflex, front vented
Input Terminals	Gold plated binding posts
Dimensions	375mm high x 260mm wide x 205mm deep at the top (109mm deep at the bottom)
Net Weight	7 kg

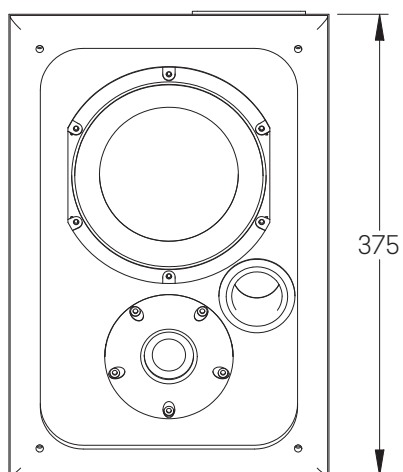
DETAILED DIMENSIONS



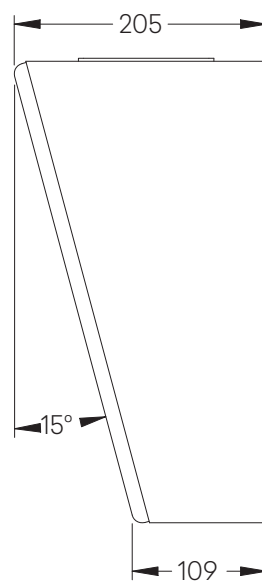
Top View



Rear view



Front View



Side view

